

STK4144MK2 Series

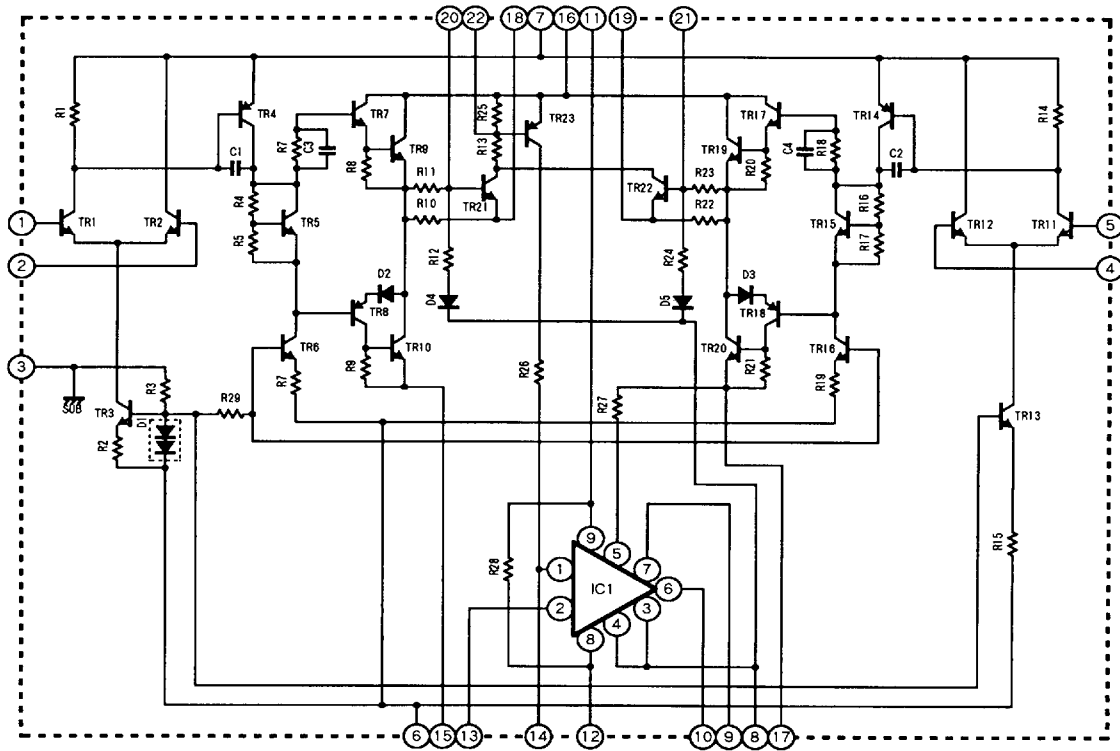
- ★2ch./1package, ± Power Supply
- ★Built-in Self Recovering Protection
- ★25W/ch. ~ 100W/ch.
- ★THD = 0.4%

Model	Maximum Ratings 最大定格	Recommended Operating Conditions 推奨動作条件		Operating Characteristics (Recommend Operating Conditions at Test Circuit) 動作特性(Test Circuitにて 推奨動作条件による)			
				Vcc max [V]		Po max 1 RL=8Ω f=20~ 20kHz [W]	THD (V _G =40dB) [%]
		RL=8Ω	RL=4Ω				
STK4144MK2	±40.0	±27.0	±22.0	25 + 25	0.4	25 + 25	1.0
*STK4154MK2	±42.0	±28.0	±25.0	30 + 30	0.4	35 + 35	1.0
*STK4164MK2	±45.0	±30.5	±26.5	35 + 35	0.4	40 + 40	1.0
*STK4174MK2	±48.0	±32.0	±28.0	40 + 40	0.4	45 + 45	1.0
*STK4184MK2	±50.0	±33.5	±30.0	45 + 45	0.4	50 + 50	1.0
STK4194MK2	±52.5	±35.0	±32.0	50 + 50	0.4	55 + 55	1.0
*STK4204MK2	±55.0	±38.5	-	60 + 60	0.4	-	-
*STK4214MK2	±60.0	±42.0	-	70 + 70	0.4	-	-
STK4224MK2	±65.0	±45.0	-	80 + 80	0.4	-	-
*STK4234MK2	±75.0	±51.0	-	100 + 100	0.4	-	-

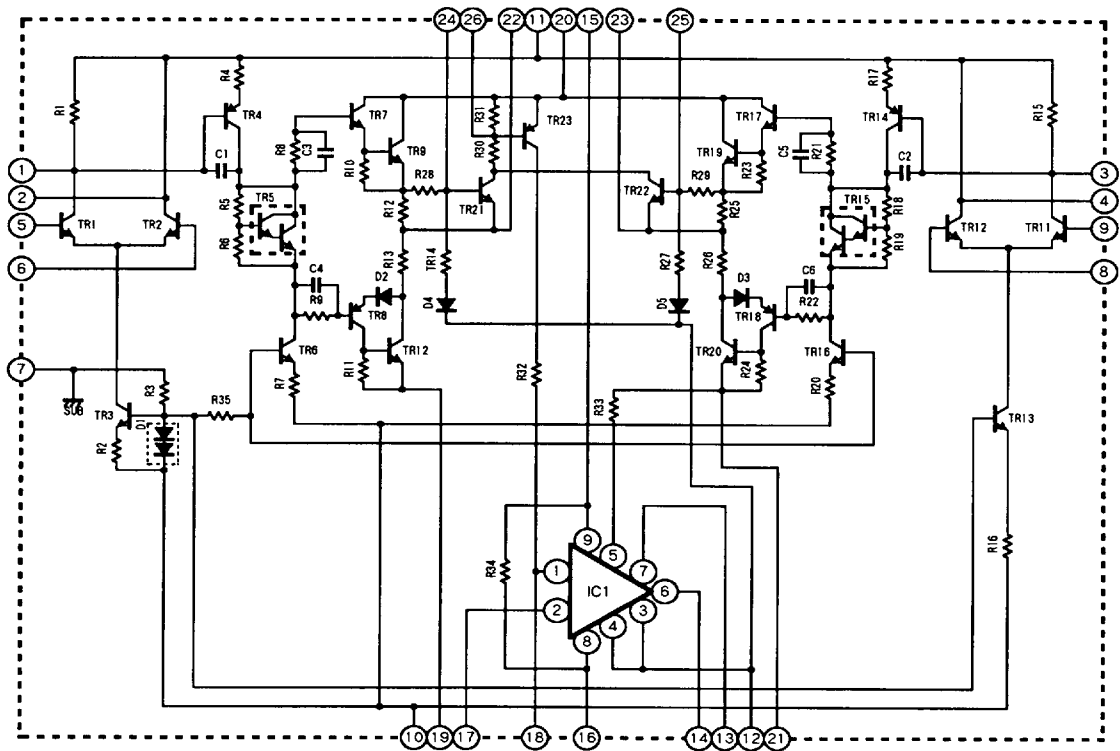
* Under mass production

■ Equivalent Circuit

① STK4144MK2 ~ STK4194MK2

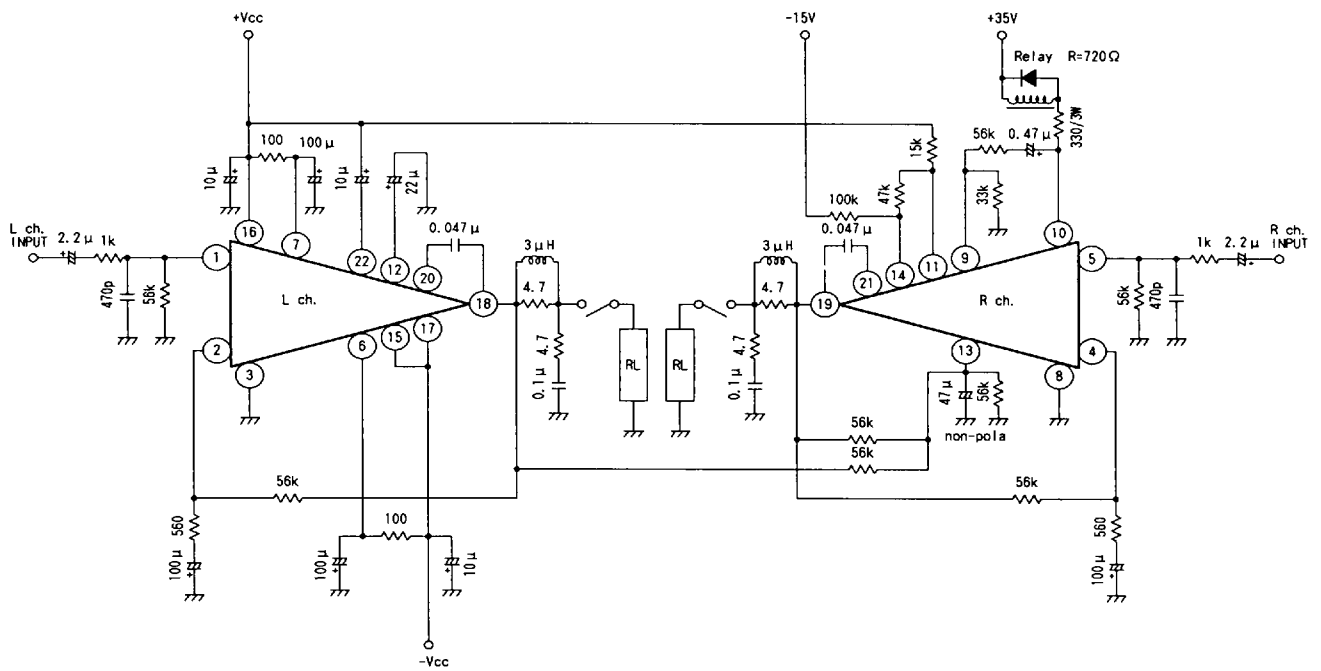


② STK4204MK2 ~ STK4234MK2

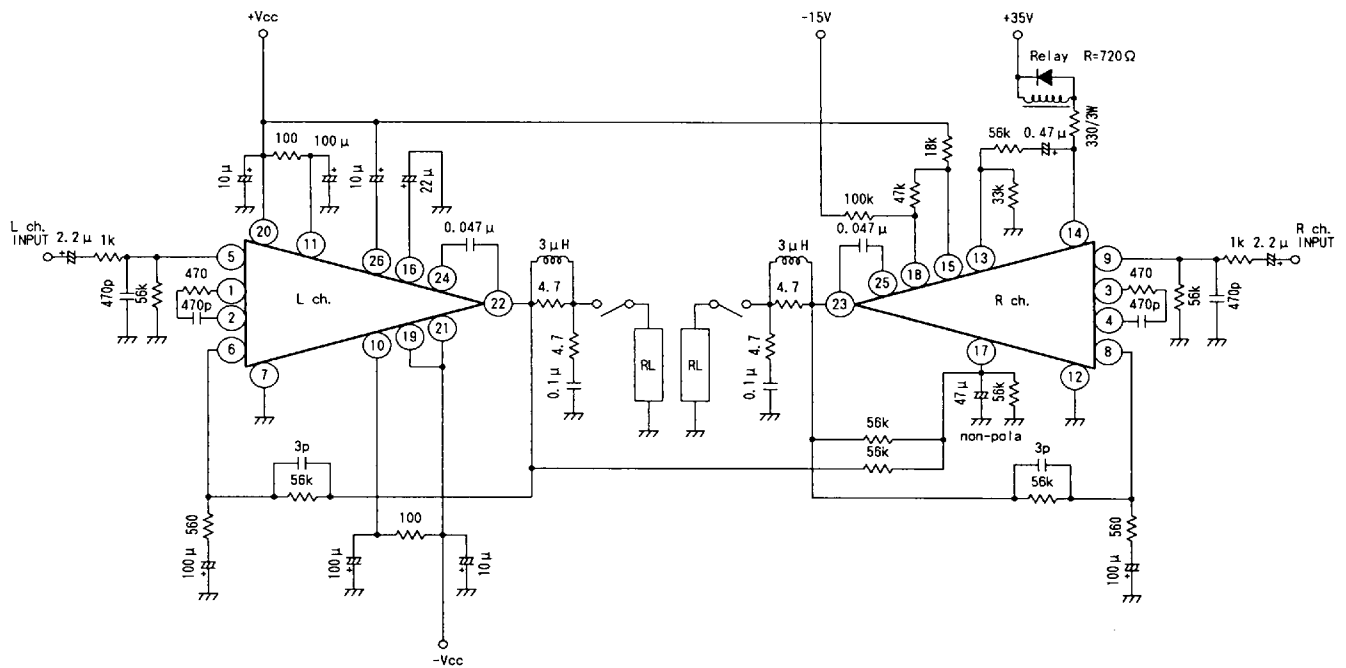


■ Test Circuit

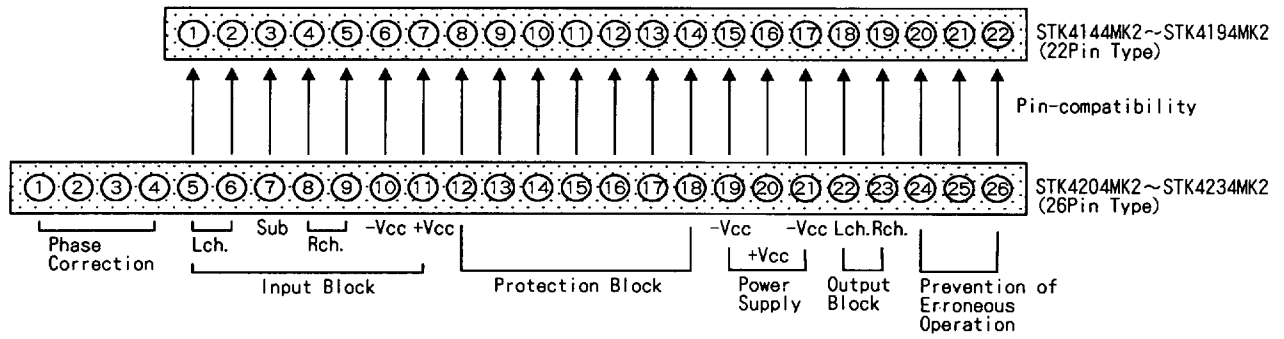
Ⓐ STK4144MK2 ~ STK4194MK2



Ⓑ STK4204MK2 ~ STK4234MK2

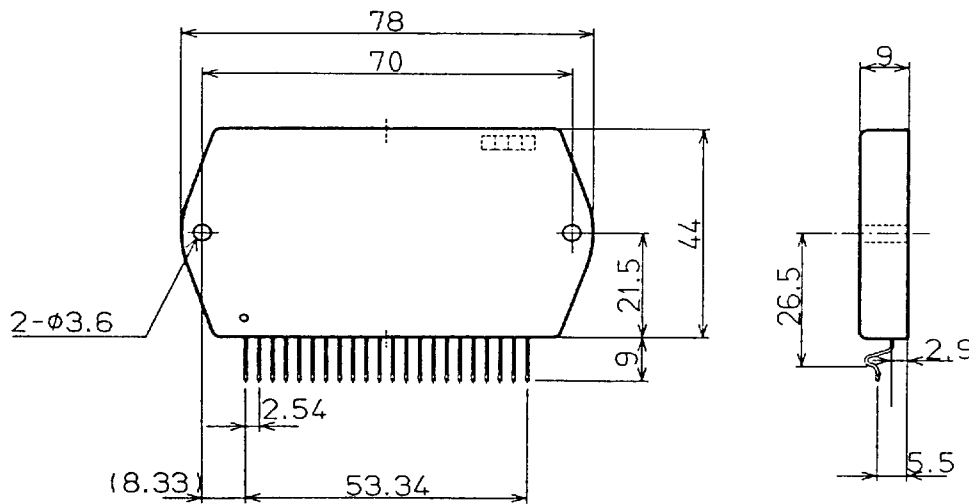


■ Pin - compatibility



■ Case Outline

① STK4144MK2 ~ STK4194MK2



② STK4204MK2 ~ STK4234MK2

