

## Filter Inductors High Current



### ELECTRICAL SPECIFICATIONS

**Inductance:** Measured at 1.0 V with zero DC current

**Incremental Current:** The typical current at which the inductance will be decreased by 5 % from its initial zero DC value

**Operating Temperature:** - 55 °C to + 125 °C (no load)  
- 55 °C to + 75 °C (at full rated current)

STANDARD ELECTRICAL SPECIFICATIONS					
MODEL	IND. at 1 kHz (μH)	TOL.	DCR MAX. (Ohms)	RATED CURRENT (Max. Amps)	INCREMENTAL CURRENT (Amps)
IH-3	5	± 10 %	0.015	10.0	25
IH-3	10	± 10 %	0.018	9.0	19
IH-3	27	± 10 %	0.035	7.0	12
IH-3	50	± 10 %	0.050	5.6	8
IH-3	100	± 10 %	0.065	5.2	6
IH-3	150	± 10 %	0.075	5.0	5
IH-3	250	± 10 %	0.090	5.0	4
IH-5	5	± 10 %	0.012	14.0	25
IH-5	10	± 10 %	0.015	12.0	19
IH-5	27	± 10 %	0.025	9.0	13
IH-5	50	± 10 %	0.030	8.0	10
IH-5	68	± 10 %	0.035	7.5	9
IH-5	100	± 10 %	0.050	7.5	7
IH-5	150	± 10 %	0.060	7.0	5
IH-10	5	± 10 %	0.010	19.0	25
IH-10	10	± 10 %	0.012	16.0	19
IH-10	27	± 10 %	0.018	12.5	12
IH-10	50	± 10 %	0.025	11.0	10
IH-10	68	± 10 %	0.027	10.0	8
IH-10	100	± 10 %	0.030	10.0	7
IH-15	5	± 10 %	0.008	24.0	25
IH-15	10	± 10 %	0.010	20.0	19
IH-15	27	± 10 %	0.015	16.0	14
IH-15	50	± 10 %	0.020	15.0	10

### MARKING

- Vishay Dale
- Model
- Inductance value
- Date code

### ORDERING INFORMATION

MODEL	INDUCTANCE VALUE	INDUCTANCE TOLERANCE	PACKAGE CODE	JEDEC LEAD (Pb)-FREE STANDARD
IH-5	10 μH	± 10 %	EB	e2

### GLOBAL PART NUMBER INFORMATION

I	H	0	5	E	B	1	0	0	K
MODEL				PACKING CODE		INDUCTANCE VALUE			TOL.

### FEATURES

- Printed circuit mounting
- Pre-tinned leads
- Protected by polyolefin tubing - flame retardant UL type VW-1 per MIL-I-23053/5, Class 3 requirements



**RoHS**  
COMPLIANT

### APPLICATIONS

Noise filtering for switching regulators, power amplifiers, power supplies and SCR and Triac control circuits

Current Rating: Maximum continuous operating current (DC or RMS) based on a 50 °C temperature rise

### MECHANICAL SPECIFICATIONS

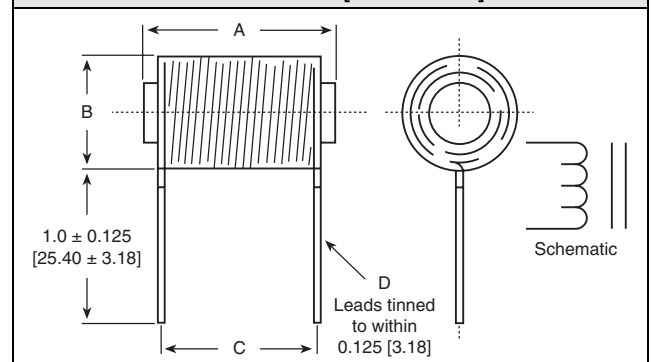
**Wire:** Solid soft copper

**Terminals:** Extensions of the winding

**Core Material:** Ferrite

**Coating:** Polyolefin tubing

### DIMENSIONS in inches [millimeters]



MODEL	IND. (μH)	A (Max.)	B (Max.)	C ± 0.062 [1.57]	D ± 0.005 [0.127]
IH-3	5	0.875 [22.23]	0.600 [15.24]	0.500 [12.70]	0.042 [1.067]
IH-3	10	1.125 [28.58]	0.625 [15.88]	0.687 [17.45]	0.042 [1.067]
IH-3	27	0.875 [22.23]	0.800 [20.32]	0.437 [11.10]	0.042 [1.067]
IH-3	50	0.875 [22.23]	0.800 [20.32]	0.750 [19.05]	0.042 [1.067]
IH-3	100	1.125 [28.58]	0.800 [20.32]	0.937 [23.80]	0.042 [1.067]
IH-3	150	1.375 [34.93]	0.800 [20.32]	1.062 [26.97]	0.042 [1.067]
IH-3	250	1.625 [41.28]	0.800 [20.32]	1.312 [33.32]	0.042 [1.067]
IH-5	5	0.875 [22.23]	0.625 [15.88]	0.750 [19.05]	0.053 [1.35]
IH-5	10	1.125 [28.58]	0.625 [15.88]	1.000 [25.40]	0.053 [1.35]
IH-5	27	0.875 [22.23]	0.840 [21.34]	0.562 [14.27]	0.053 [1.35]
IH-5	50	1.125 [28.58]	0.840 [21.34]	0.750 [19.05]	0.053 [1.35]
IH-5	68	1.125 [28.58]	0.860 [21.84]	0.875 [22.23]	0.053 [1.35]
IH-5	100	1.375 [34.93]	0.860 [21.84]	1.000 [25.40]	0.053 [1.35]
IH-5	150	1.625 [41.28]	0.860 [21.84]	1.250 [31.75]	0.053 [1.35]
IH-10	5	1.125 [28.58]	0.635 [16.13]	0.812 [20.62]	0.065 [1.65]
IH-10	10	1.375 [34.93]	0.635 [16.13]	1.218 [30.94]	0.065 [1.65]
IH-10	27	1.125 [28.58]	0.935 [23.75]	0.687 [17.45]	0.065 [1.65]
IH-10	50	1.375 [34.93]	0.935 [23.75]	0.937 [23.80]	0.065 [1.65]
IH-10	68	1.375 [34.93]	0.935 [23.75]	1.125 [28.58]	0.065 [1.65]
IH-10	100	1.625 [41.28]	0.935 [23.75]	1.312 [33.32]	0.065 [1.65]
IH-15	5	1.375 [34.93]	0.700 [17.78]	0.937 [23.80]	0.082 [2.08]
IH-15	10	1.687 [42.85]	0.700 [17.78]	1.500 [38.10]	0.082 [2.08]
IH-15	27	1.375 [34.93]	1.000 [25.40]	0.937 [23.80]	0.082 [2.08]
IH-15	50	1.625 [41.28]	1.000 [25.40]	1.125 [28.58]	0.082 [2.08]



### Notice

Specifications of the products displayed herein are subject to change without notice. Vishay Intertechnology, Inc., or anyone on its behalf, assumes no responsibility or liability for any errors or inaccuracies.

Information contained herein is intended to provide a product description only. No license, express or implied, by estoppel or otherwise, to any intellectual property rights is granted by this document. Except as provided in Vishay's terms and conditions of sale for such products, Vishay assumes no liability whatsoever, and disclaims any express or implied warranty, relating to sale and/or use of Vishay products including liability or warranties relating to fitness for a particular purpose, merchantability, or infringement of any patent, copyright, or other intellectual property right.

The products shown herein are not designed for use in medical, life-saving, or life-sustaining applications. Customers using or selling these products for use in such applications do so at their own risk and agree to fully indemnify Vishay for any damages resulting from such improper use or sale.