



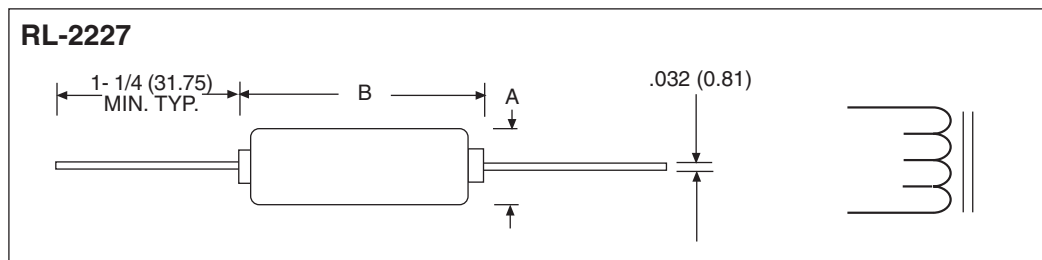
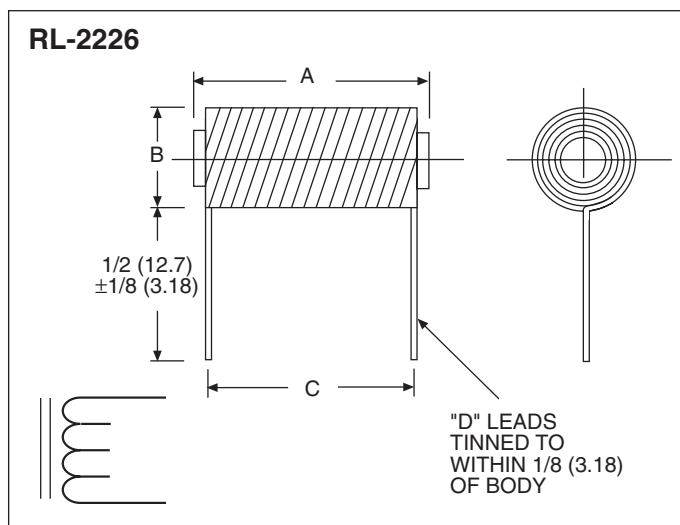
# RL-2226

## RL-2227

### FILTER CHOKES



A compact series of high current ferrite core inductors ideally suited for noise filtering in switching regulated power supplies, power filter networks, power amplifiers, SCR and Triac control circuits. PVC shrink tube cover is used to protect and insulate outer windings. Manufactured with pretinned radial leads for easy PCB insertion.



ALL DIMENSIONS IN INCHES (mm)



## RENCO ELECTRONICS, INC.

595 International Place, Rockledge, FL 32955-4200 USA

(321) 637-1000 • Toll Free Engineering Hot line 800-645-5828

Fax: (321) 637-1600 Web Site: [www.rencousa.com](http://www.rencousa.com) E-mail: [sales@rencousa.com](mailto:sales@rencousa.com)

<b>RL-2226 ELECTRICAL SPECIFICATIONS</b>					
Renco Part No.	Inductance @ 1KHz (μH) * ±10%	Rated Current (Max.)	DC Resistance (Ohms) Max.	Self-Resonant Frequency (MHz) (Min.)	Incremental Current** (Amps)
RL-2226-3-5	5	3	.015	40.0	19
RL-2226-3-10	10	3	.018	25.0	17
RL-2226-3-27	27	3	.035	8.0	15
RL-2226-3-50	50	3	.050	5.0	12
RL-2226-3-100	100	3	.065	2.5	8
RL-2226-3-150	150	3	.075	2.0	5
RL-2226-3-250	250	3	.090	1.0	3
RL-2226-5-5	5	5	.012	30.0	20
RL-2226-5-10	10	5	.015	20.0	18
RL-2226-5-27	27	5	.025	7.0	15
RL-2226-5-50	50	5	.030	4.0	10
RL-2226-5-68	68	5	.035	3.5	9
RL-2226-5-100	100	5	.050	2.5	7
RL-2226-5-150	150	5	.060	2.0	5
RL-2226-10-5	5	10	.010	30.0	19
RL-2226-10-10	10	10	.012	20.0	17
RL-2226-10-27	27	10	.018	7.0	15
RL-2226-10-50	50	10	.025	4.0	9
RL-2226-10-68	68	10	.027	3.5	8
RL-2226-10-100	100	10	.030	2.5	6
RL-2226-15-5	5	15	.008	30.0	20
RL-2226-15-10	10	15	.010	20.0	17
RL-2226-15-27	27	15	.015	7.0	14
RL-2226-15-50	50	15	.020	4.0	9

<b>RL-2226 MECHANICAL SPECIFICATIONS</b>				
Renco Part No.	A (Max.)	B (Max.)	C ±.062 (1.59)	D ±.005 (0.13)
RL-2226-3-5	0.875 (22.23)	0.625 (15.88)	0.500 (12.70)	.042 (1.067)
RL-2226-3-10	1.125 (28.58)	0.625 (17.45)	0.687 (17.45)	.042 (1.067)
RL-2226-3-27	0.875 (22.23)	0.812 (20.62)	0.437 (11.10)	.042 (1.067)
RL-2226-3-50	0.875 (22.23)	0.812 (20.62)	0.750 (19.05)	.042 (1.067)
RL-2226-3-100	1.125 (28.58)	0.812 (20.62)	0.937 (23.80)	.042 (1.067)
RL-2226-3-150	1.375 (34.93)	0.812 (20.62)	1.062 (26.97)	.042 (1.067)
RL-2226-3-250	1.625 (41.28)	0.812 (20.62)	1.312 (33.32)	.042 (1.067)
RL-2226-5-5	0.875 (22.23)	0.640 (16.26)	0.750 (19.05)	.053 (1.35)
RL-2226-5-10	1.125 (28.58)	0.640 (16.26)	1.000 (25.40)	.053 (1.35)
RL-2226-5-27	0.875 (22.23)	0.875 (22.23)	0.562 (14.27)	.053 (1.35)
RL-2226-5-50	1.125 (28.58)	0.875 (22.23)	0.750 (19.05)	.053 (1.35)
RL-2226-5-68	1.125 (28.58)	0.875 (22.23)	0.875 (22.23)	.053 (1.35)
RL-2226-5-100	1.375 (34.93)	0.875 (22.23)	1.000 (25.40)	.053 (1.35)
RL-2226-5-150	1.625 (41.28)	0.875 (22.23)	1.250 (31.75)	.053 (1.35)
RL-2226-10-5	1.125 (28.58)	0.687 (17.45)	0.812 (20.62)	.065 (1.65)
RL-2226-10-10	1.375 (34.93)	0.687 (17.45)	1.218 (30.94)	.065 (1.65)
RL-2226-10-27	1.125 (28.58)	0.937 (23.80)	0.687 (17.45)	.065 (1.65)
RL-2226-10-50	1.375 (34.93)	0.937 (23.80)	0.937 (23.80)	.065 (1.65)
RL-2226-10-68	1.375 (34.93)	0.937 (23.80)	1.125 (28.58)	.065 (1.65)
RL-2226-10-100	1.625 (41.28)	0.937 (23.80)	1.312 (33.32)	.065 (1.65)
RL-2226-15-5	1.375 (34.93)	0.725 (18.42)	0.937 (23.80)	.082 (2.08)
RL-2226-15-10	1.687 (42.85)	0.725 (18.42)	1.500 (38.10)	.082 (2.08)
RL-2226-15-27	1.375 (34.93)	1.000 (25.40)	0.937 (23.80)	.082 (2.08)
RL-2226-15-50	1.625 (41.28)	1.000 (25.40)	1.125 (28.58)	.082 (2.08)

\* Inductance measured with zero DC current.  
 \*\* Incremental current reduces inductance by 10% or less.  
 Average current must not exceed specified rated current.



## RENCO ELECTRONICS, INC.

595 International Place, Rockledge, FL 32955-4200 USA

(321) 637-1000 • Toll Free Engineering Hot line 800-645-5828

SINCE 1955 Fax: (321) 637-1600 Web Site: www.rencousa.com E-mail: sales@rencousa.com

<b>RL-2227 ELECTRICAL SPECIFICATIONS</b>				
Renco Part No.	Inductance @ 1KHz (μH) ±10%	Rated Current (Max.)	DC Resistance (Ohms) Max.	Self-Resonant Frequency (MHz) (Min.)
RL-2227-1-50	50	1	.120	4.0
RL-2227-1-100	100	1	.180	2.0
RL-2227-1-250	250	1	.300	1.0
RL-2227-1-500	500	1	.500	0.8
RL-2227-1-1000	1000	1	.600	0.5
RL-2227-2-27	27	2	.085	5.5
RL-2227-2-50	50	2	.100	4.0
RL-2227-2-100	100	2	.150	2.0
RL-2227-2-250	250	2	.250	1.0
RL-2227-2-500	500	2	.450	0.5
RL-2227-3-5	5	3	.025	25.0
RL-2227-3-10	10	3	.035	20.0
RL-2227-3-27	27	3	.050	6.0
RL-2227-3-50	50	3	.065	4.0
RL-2227-3-100	100	3	.075	2.0
RL-2227-5-5	5	5	.015	50.0
RL-2227-5-10	10	5	.025	40.0
RL-2227-5-27	27	5	.035	7.0
RL-2227-5-50	50	5	.050	2.0
RL-2227-5-100	100	5	.065	1.0

<b>RL-2227 MECHANICAL SPECIFICATIONS</b>		
Renco Part No.	A (Max.)	B (Max.)
RL-2227-1-50	.475 (12.06)	.800 (20.32)
RL-2227-1-100	.475 (12.06)	.800 (20.32)
RL-2227-1-250	.475 (12.06)	1.050 (26.67)
RL-2227-1-500	.550 (13.97)	1.050 (26.67)
RL-2227-1-1000	.550 (13.97)	1.225 (30.80)
RL-2227-2-27	.500 (12.70)	.800 (20.32)
RL-2227-2-50	.500 (12.70)	.800 (20.32)
RL-2227-2-100	.500 (12.70)	.920 (23.37)
RL-2227-2-150	.600 (15.24)	.920 (23.37)
RL-2227-2-500	.750 (19.05)	1.050 (26.67)
RL-2227-3-5	.475 (12.06)	.800 (20.32)
RL-2227-3-10	.475 (12.06)	.920 (23.37)
RL-2227-3-27	.550 (13.97)	.800 (20.32)
RL-2227-3-50	.550 (13.97)	.920 (23.37)
RL-2227-3-100	.550 (13.97)	1.225 (30.80)
RL-2227-5-5	.475 (12.06)	1.050 (26.67)
RL-2227-5-10	.475 (12.06)	1.050 (26.67)
RL-2227-5-27	.700 (17.78)	1.050 (26.67)
RL-2227-5-50	.700 (17.78)	1.050 (26.67)
RL-2227-5-100	.700 (17.78)	1.300 (33.02)



## RENCO ELECTRONICS, INC.

595 International Place, Rockledge, FL 32955-4200 USA

(321) 637-1000 • Toll Free Engineering Hot line 800-645-5828

Fax: (321) 637-1600 Web Site: [www.rencousa.com](http://www.rencousa.com) E-mail: [sales@rencousa.com](mailto:sales@rencousa.com)