



TELECOMMUNICATION DRY COUPLING TRANSFORMER DESIGNED TO OPERATE AT A MAXIMUM LEVEL OF +7dBm AND TO REFLECT A PRIMARY SOURCE IMPEDANCE OF 600 Ω CT WITH 600 Ω CT LOAD ON SECONDARY

MODEL NUMBER  
**TTC-09**

REV. Status

REVISION -  
01/08/92 HA

REVISION A  
TEMECULA  
WAS CARSON  
ADDED SAFETY  
UPDATED NP  
REVISED DIM  
20.3(0.80)MAX  
WAS  
19.8(0.781)MAX  
01/06/96 TS

REVISION B  
REV A.1 & A.2  
ADDED "CT"  
01/19/96 TS

REVISION C  
ADDED RoHS.  
UL1459 WAS  
UL1863.  
DIM 20.3(0.799)  
WAS 19.8(0.781)  
10/17/06 MP

A. Electrical Specifications (@ 25 ° C)

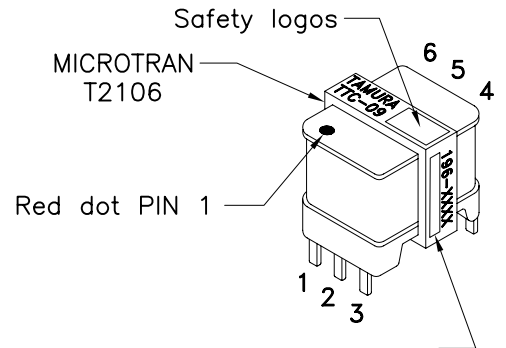
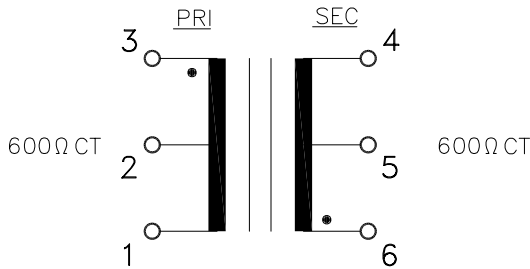
1. Pri Source Impedance; 600 Ω CT
2. Sec Load Impedance; 600 Ω CT
3. Operating Level; -45 dBm to +7 dBm
4. Insertion Loss; 1.2 dB MAX @ 1 KHz, 0 dBm
5. Frequency Response;  
±0.5 dB 300 Hz to 3.5 KHz @ 0 dBm
6. Primary Impedance;  
600 Ω ±10% @ 300 Hz to 3.5 KHz, 0 dBm
7. Total Harmonic Distortion; 0.5% MAX @ 300 Hz to 3.5 KHz, 0 dBm
8. Return Loss; 22 dB MIN (ERL measurement)  
26 dB TYP
9. Longitudinal Balance;  
60 dB MIN @ 200 Hz to 1 KHz  
40 dB MIN @ 4 KHz
10. DC Resistance;  
(1-3) = 36 Ω ±20%  
(4-6) = 50 Ω ±20%
11. Turns Ratio; (1-3) : (4-6) = 1 : 1.03 ±2%
12. Dielectric Strength;  
1500 Vrms 1 minute @ Pri to Sec, Pri to Core  
1000 Vrms 1 minute @ Sec to Core



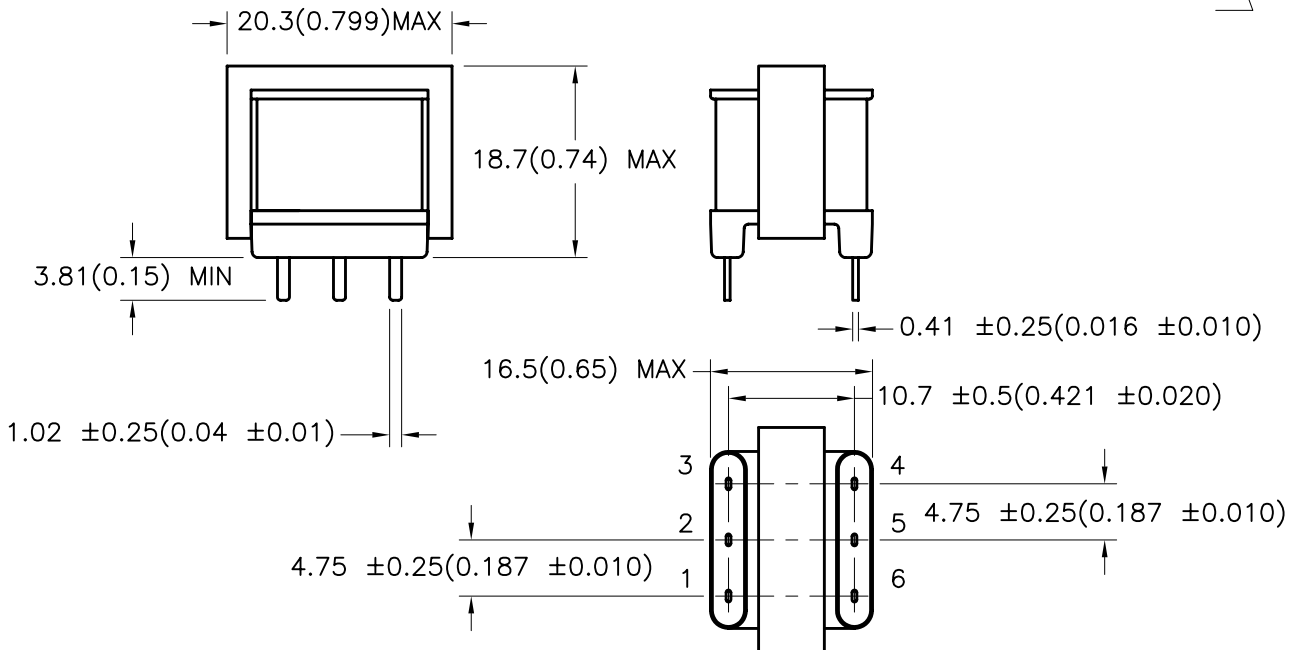
B. Marking; TTC-09, TAMURA, T2106, MICROTRAN, date code and country of origin

C. Safety; CSA-C22.2 No. 66-M1988 File No. LR81383  
UL 1459 File No. E142035

D. Schematic Diagram



E. Mechanical Specifications



TOLERANCES (mm)	
≤ 4	± 0.2
4 ≤ 20	± 0.3
20 ≤ 50	± 0.4

PREPARED BY:  
K. BRENNAN

ENGINEER:  
M. PITCHAI

QUALITY CONTROL:  
T. CLEM

APPROVED:  
Y. SEKIGUCHI

DWG CONTROL NO.  
P-A1-10522  
ACAD\TTC\A1105221.DWG

REV  
C

TELECOMMUNICATION COUPLING  
TRANSFORMER

**TAMURA CORPORATION OF AMERICA**  
43352 BUSINESS PARK DRIVE, TEMECULA, CA. 92590-6624  
(951) 699-1270 FAX 9516769482

**TTC-09**  
MODEL SPECIFICATION

DIM: mm[In] SCL: 1/1 SH: 1 OF 1

PROPRIETARY NOTICE: THIS DRAWING PRINT OR DOCUMENT AND SUBJECT MATTER DISCLOSED HEREIN ARE PROPRIETARY ITEMS TO WHICH TAMURA RETAINS THE EXCLUSIVE RIGHT OF DISSEMINATION, REPRODUCTION, MANUFACTURE AND SALE. THIS DRAWING, PRINT OR DOCUMENT IS SUBMITTED IN CONFIDENCE FOR CONSIDERATION BY THE RECIPIENT ALONE UNLESS PERMISSION FOR FURTHER DISCLOSURE IS EXPRESSLY GRANTED IN WRITING.