

Description:

The 1363/1364 series high voltage power supplies are miniature flyback boost converters operating from 2 to 16VDC input, with an output of 150 to 200VDC set by a single resistor to ground. An enable pin allows the module to be controlled by a logic signal from 1.20 to V_{in} volts, drawing only 40uA in shut down.

Table 1: Electrical Specifications

Specification	Min	Typ	Max	Units	Notes
Input voltage	---	---	16.00	Volts	Absolute Max, Survivability
	2.00	---	---	Volts	$P_{out} < 4.0W$ (See Fig 8/9)
	---	---	16.00	Volts	$P_{out} < 11.5W$ (See Fig 8/9)
EnablePin _{Threshold}	---	---	0.45	Volts	Module off
	1.20	---	---	Volts	Module on, $V_{en-max} = V_{in}$
EnablePin _{Current}	-2	---	+4	uAmps	In to/Out of enable pin: $V_{enable} = 0-16V$
Shutdown current	---	---	40	uAmps	Into module: $V_{in}=16V, V_{en}=0V, T_{amb}+85C$
R_{ADJUST}	0.00	---	Open	Ohms	For 200V-150V respectively
HV output	200	---	150	Volts	Short (Gnd) < R_{adj} < Open, +/-5%
Efficiency	---	80	---	%	At 50-100% rated load, 5-16VDC in

Notes:

1. R_{ADJUST} connected to ground; Ground=42uA / Open=1.24V / $Z_{in}=30.1K$.
2. No input reverse polarity protection is provided.
3. Short circuit protected via pulse-pulse current limiting.
4. Bias output may not be loaded at any time, for module testing only.

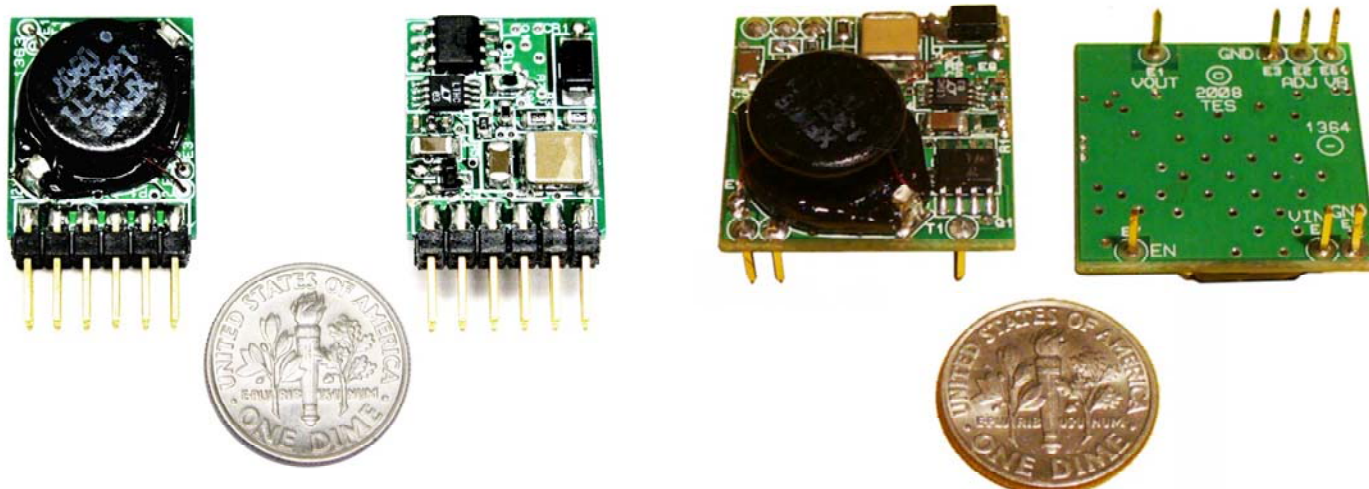


Fig 1. 1363 and 1364 modules

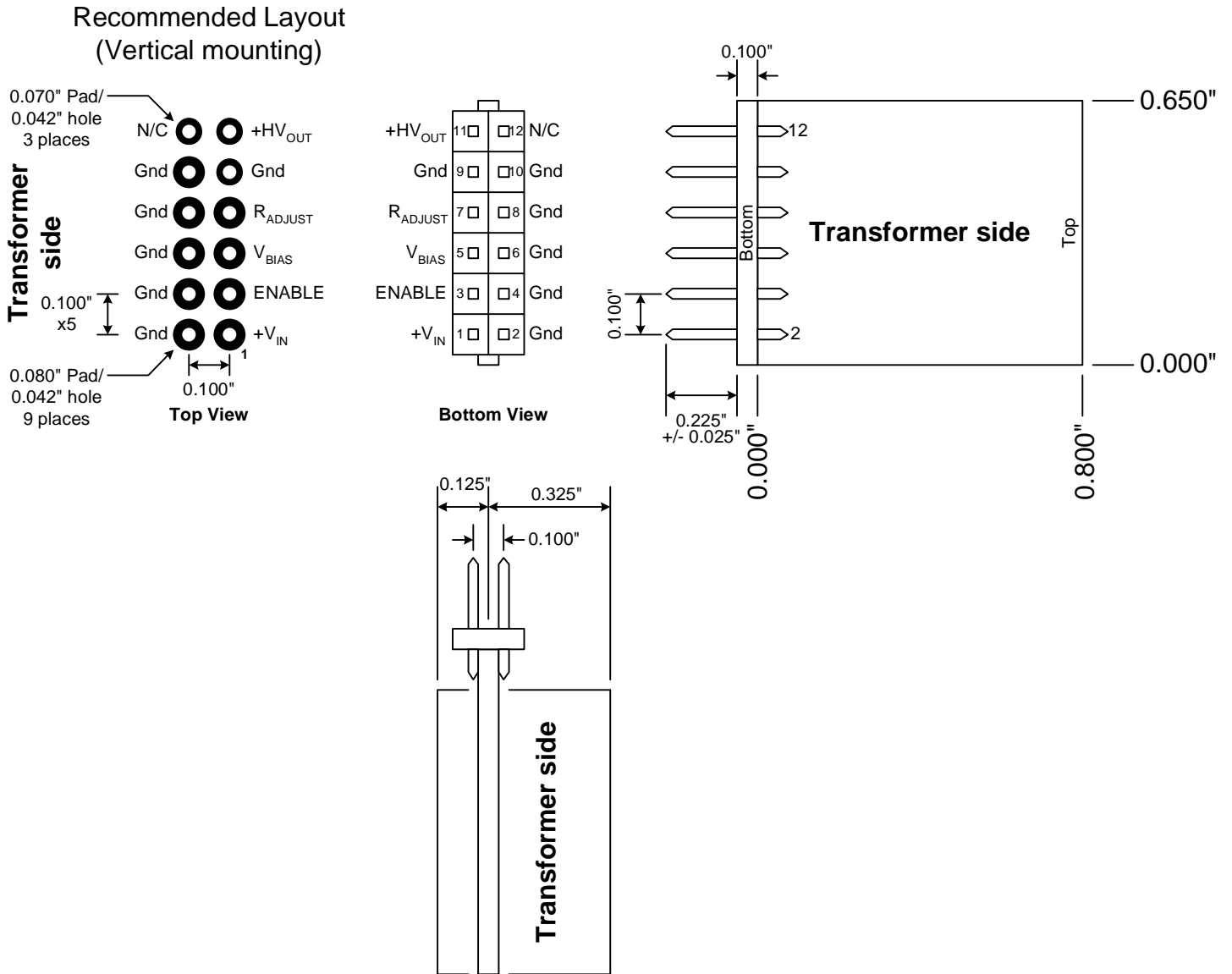


Fig 2. 1363 module outline and recommended PCB layout

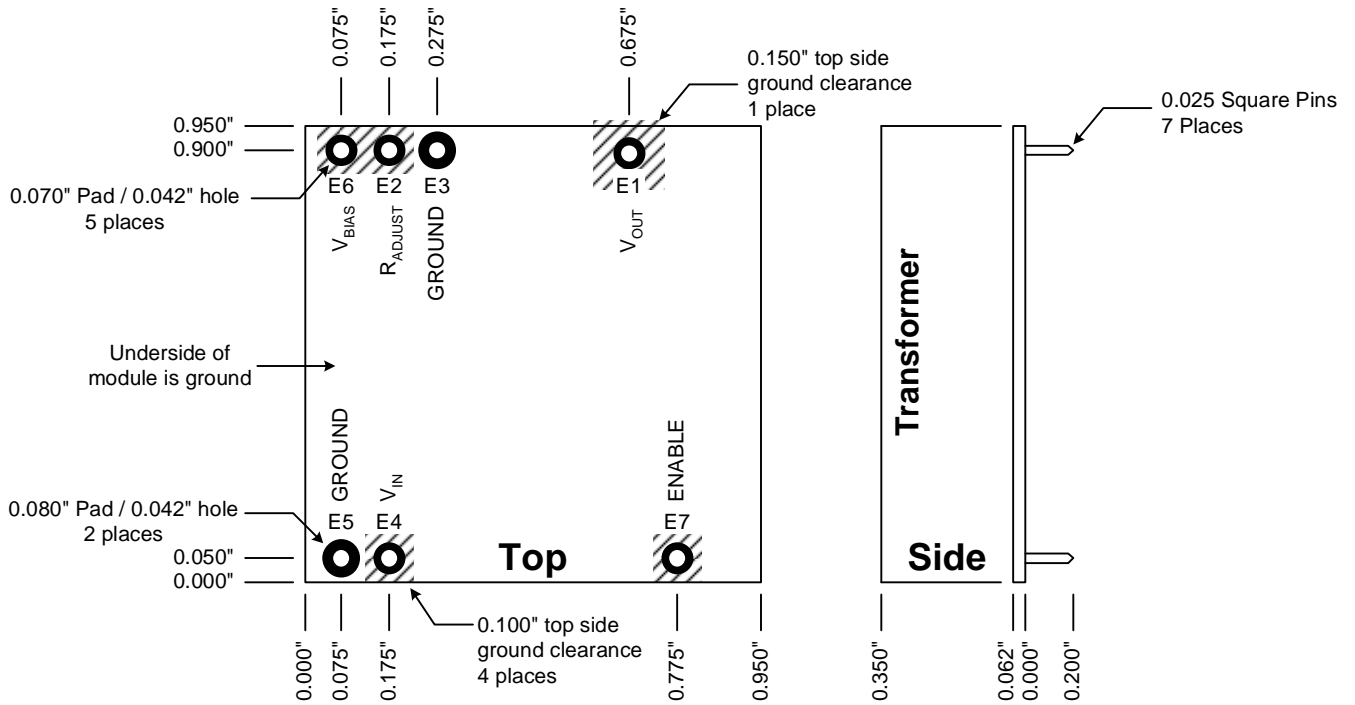


Fig 3. 1364 module outline and recommended PCB layout

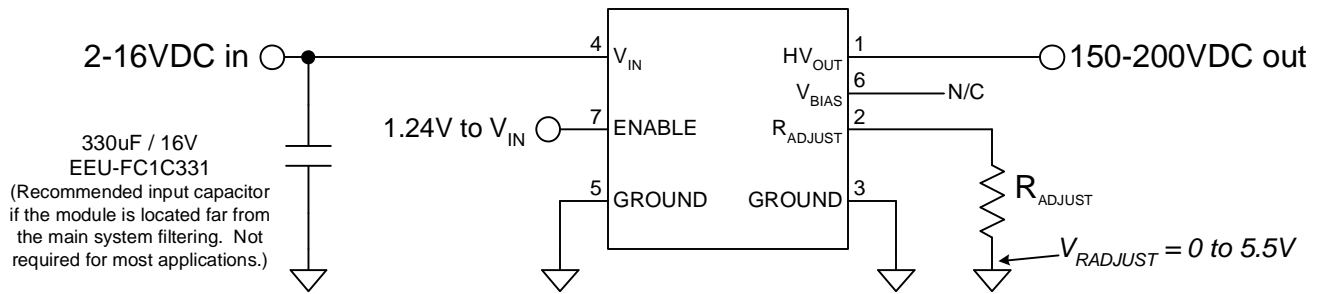


Fig 4. Typical connection (1364 pin numbering shown)

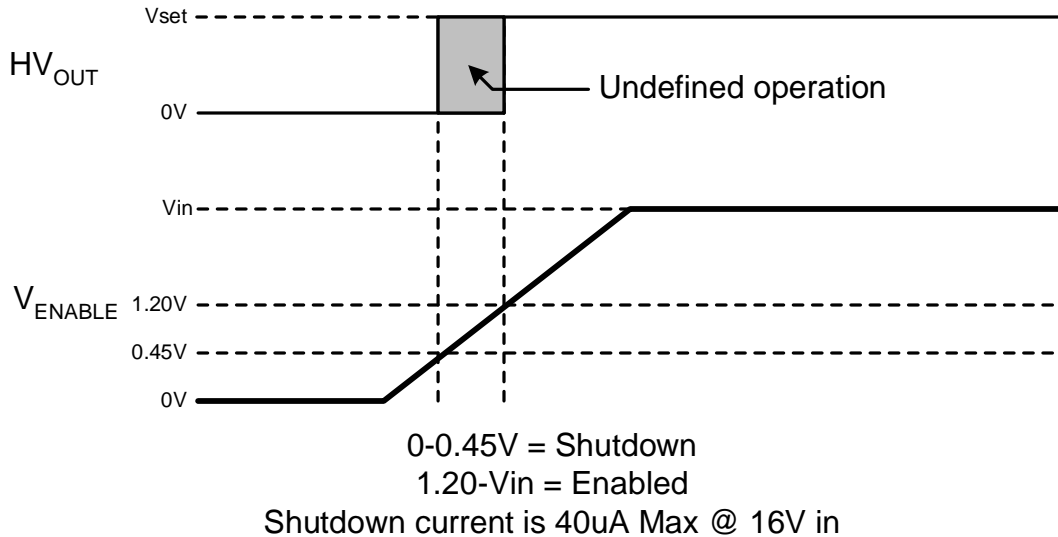


Fig 5. Enable function

Fig 6a: $V_{RADJUST} = 0V$

$$R_{ADJUST} \text{ (kOhms)} = \left(\frac{-1.24}{0.124 - \frac{V_{OUT} - 1.24}{1208}} \right) - 30.1$$

The value of R_{ADJUST} can range from open to short-to-ground for 150V to 200V output respectively.

Example, For 170V out: $R_{ADJUST} = 48.9K$ to ground

Using standard 5% resistor values: 47K=170.4V, 51K=169.5V

Fig 6b: $V_{RADJUST} \geq 0V$

$$R_{ADJUST} \text{ (kOhms)} = \left(\frac{V_{RADJUST} - 1.24}{0.124 - \frac{V_{OUT} - 1.24}{1208}} \right) - 30.1$$

The value of R_{ADJUST} can range from open to short-to- $V_{RADJUST}$.

Example, For 125V out with $V_{RADJUST}=5V$: $R_{ADJUST} = 144.38K$ to ground

Using standard 5% resistor values: 140K=124.32V, 150K=125.81V

Fig 6. R_{ADJUST} calculations

See: <http://www.tayloredge.com/utilities/vbapps/Installers/iCalculators.exe>

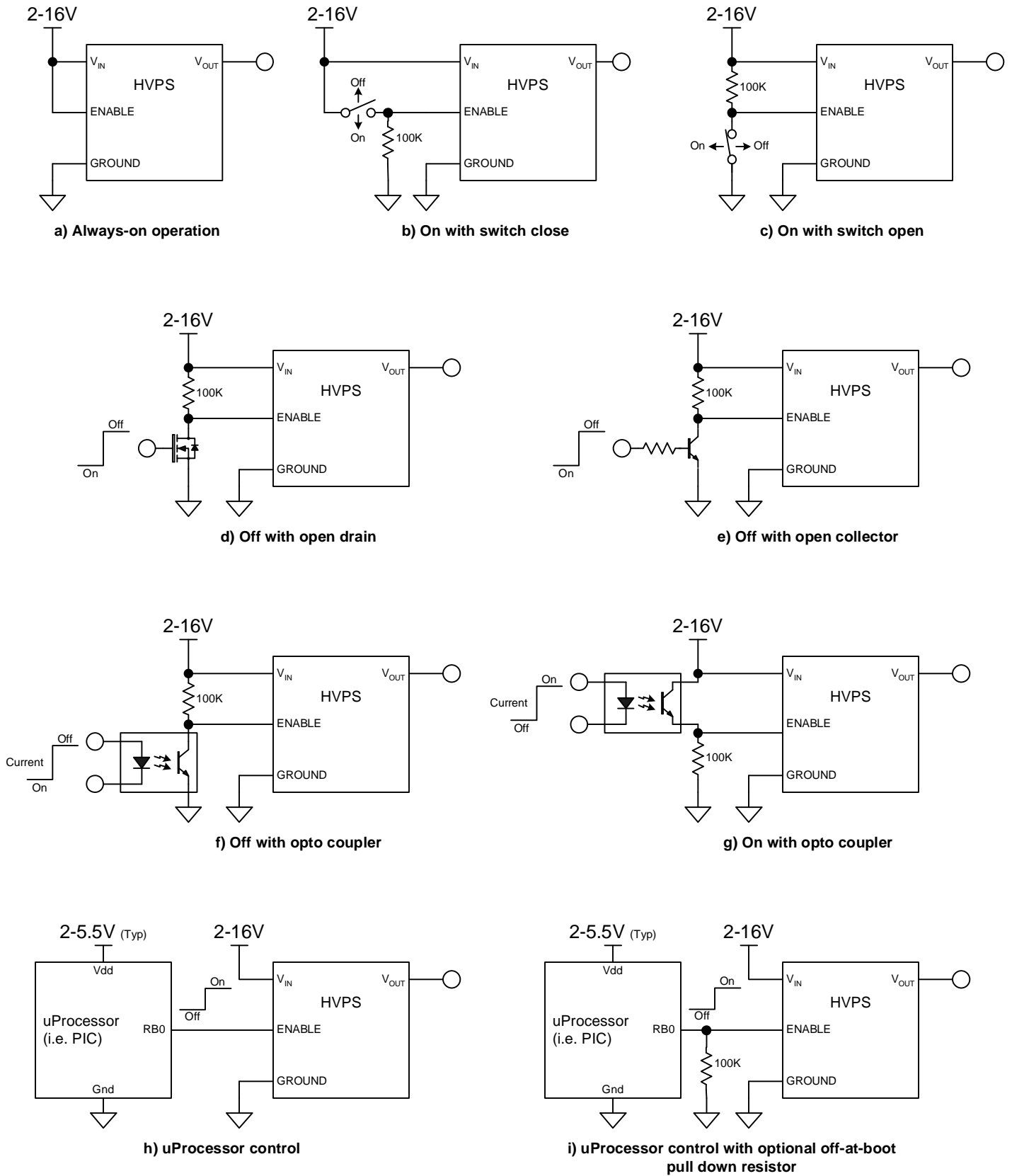


Fig 7. Examples of alternative enable connections

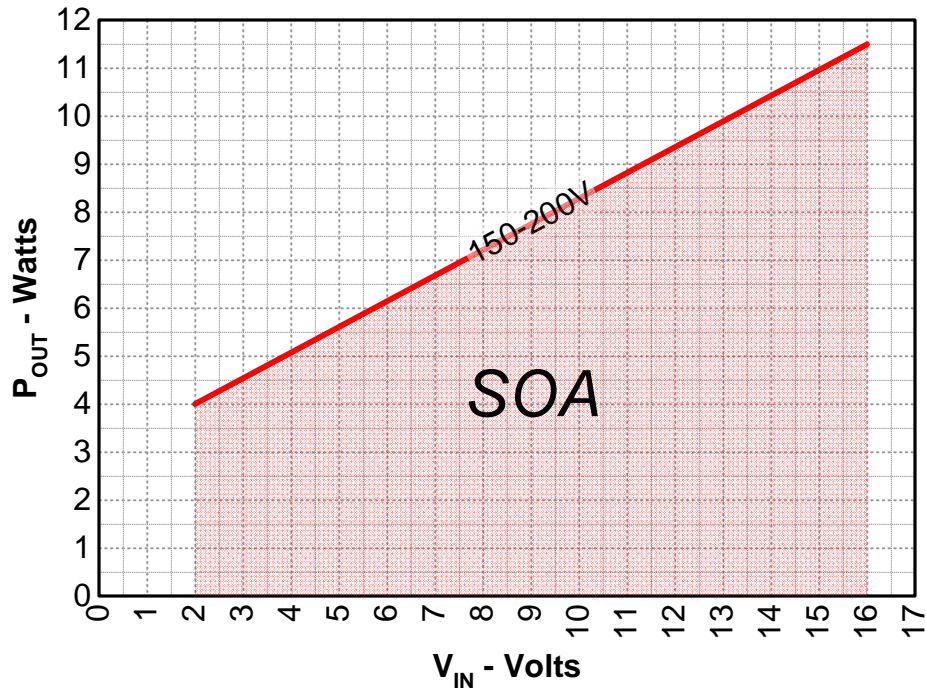


Fig 8. P_{OUT} vs V_{IN}

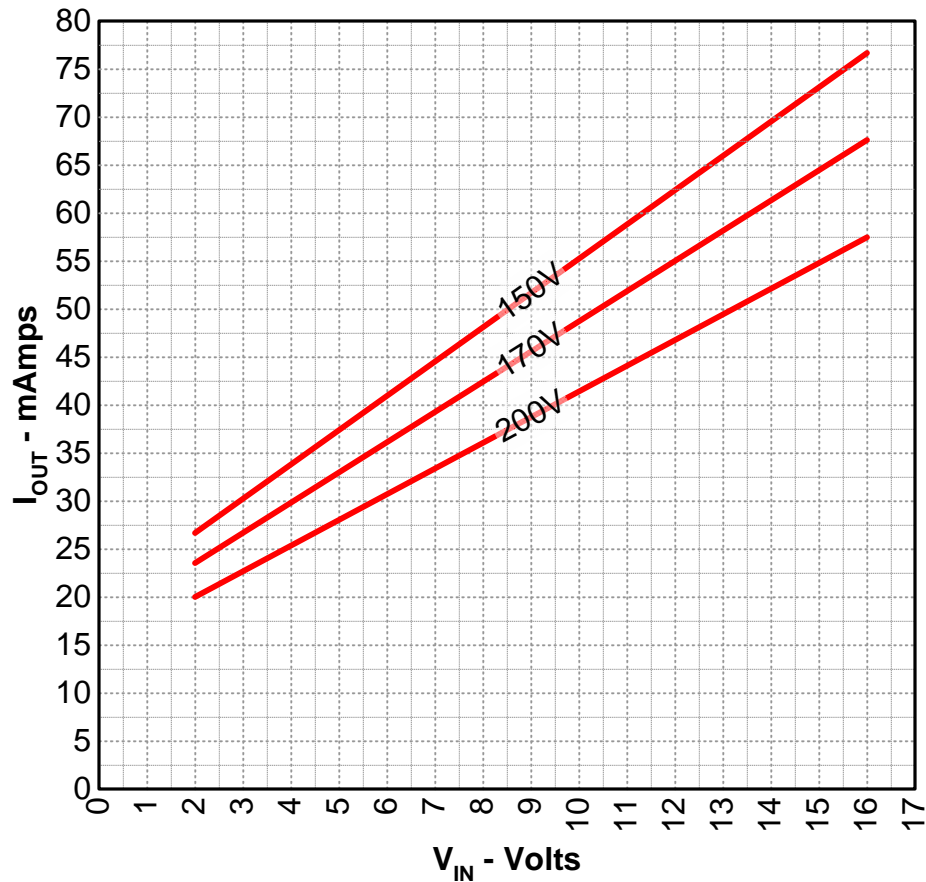
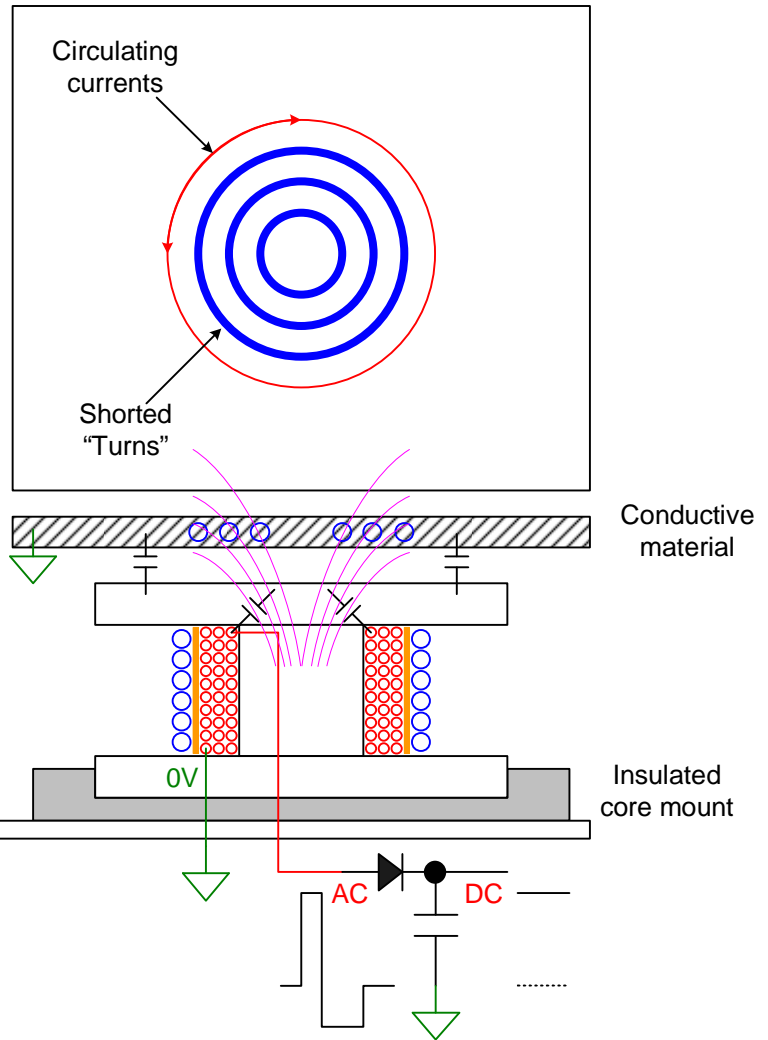


Fig 9. I_{OUT} vs V_{OUT} vs V_{IN}

Conductive materials, such as metallic housings, heat sinks or your finger can couple energy out of the transformer resulting in poor efficiency and audible ringing. The underside of the transformer is isolated from the PWB ground by an insulating plastic mount and the thinness and discontinuities of the underlying copper limit eddy currents there.

1. Leakage flux from the core in the H field cut through conductive materials perpendicular to the axis of the core post generating circulating eddy currents that are reflected back into the primary. These shorted turns can draw amps of current and grow worse as the conductivity (Rho and thickness) of the material increases. This effect will also increase as the distance from the core to the conductor decreases.

2. Capacitive coupling from the secondary output end which is at the core center (to limit coupling to the primary) presents an AC short to this end of the secondary which has a high AC peak to peak amplitude. This effect gets worse as the grounding of the material improves and the distance is decreased.



If heat sinking is desired, Gap-Pad from Bergquist serves as a very thermally conductive, electrically insulating and gap filling solution that avoids the efficiency stealing issues above. It is available from distributors such as Digikey in a variety of thickness, softness and mounting options.

GP1500-0.125-02-0816 is a good compromise between cost, thermal efficiency and softness, the 0.125" thickness providing for an easy application. This can be ordered on the power supply page in 1" squares (Enough for four power supplies).

Note that heat sinking is not generally required where the power supply has convective air currents and may operate up to 105C.

Fig 10. Transformer proximity cautions

Revision History

Revision	Description
-	Initial release.
A	Updated 1363 and 1364 individual datasheets.
B	Combined 1363 and 1364. Added Enable pin functional description. Simplified R_{adjust} calculation.
C	Added Fig. 7 to show various ways to enable the module. Clarified meaning of enable and disable currents in spec table.
D	Added Fig. 8/9 output power and current graphs
E	Changed Fig. 6 adjustment resistor from 56K to 51K to use standard 5% values just above and below calculated value. Changed Table 1 enable threshold note to indicate maximum enable voltage is equal to V_{in} .
F	General cleanup and addition of R_{ADJUST} formula to Fig. 6 for V_{RADJUST} bias voltages other than ground to allow setting the voltage to less than 150V.
G	Added note to Fig. 4 indicating numbering is for 1364 module. Added Fig. 10 showing transformer proximity cautions.