

SPECIFICATIONS

Mechanical

Contact Retention Force: 0.91kg min.

Electrical

Voltage Rating: 600V

Current Rating: 10A

Dielectric Withstanding Voltage: 1500V AC

Insulation Resistance: 1000MW

Physical

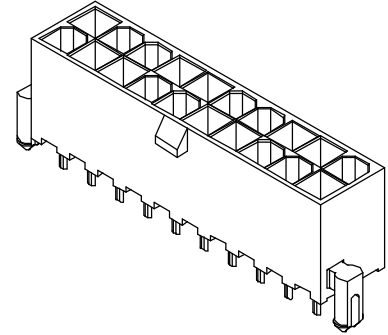
Housing: Thermoplastic, UL 94V-0 rated in Ivory Color

Contact: Copper alloy

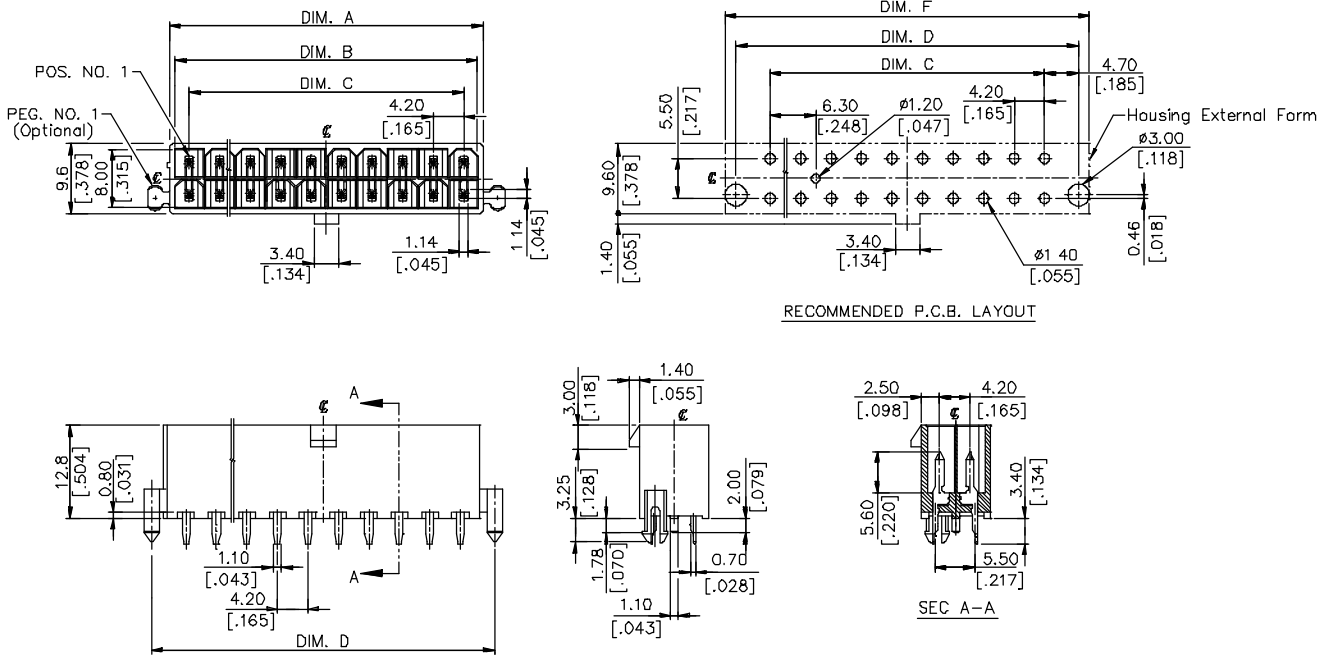
Plating: See "ORDERING INFORMATION"

Operating Temperature: -40 to +105

HM20 Series
Vertical, T/H Type
4.20mm x 4.20mm Grid
[.165" x .165"]

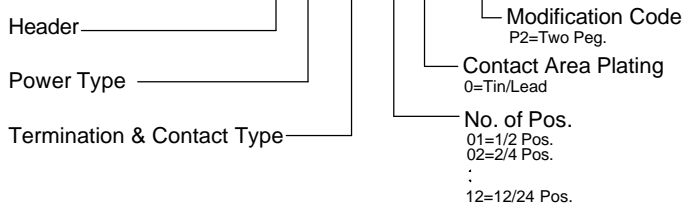


DRAWING



ORDERING INFORMATION

PRODUCT NO.: **H M 20 ** 0 - P2**



P/N	POS.	DIM. A	DIM. B	DIM. C	DIM. D	DIM. F
HM20120-P2	24	51.6 [2.031]	50.00 [1.969]	46.20 [1.819]	55.6 [2.189]	57.6 [2.268]
HM20110-P2	22	47.4 [1.866]	45.80 [1.803]	42.00 [1.654]	51.4 [2.024]	53.4 [2.102]
HM20100-P2	20	43.2 [1.701]	41.60 [1.638]	37.80 [1.488]	47.2 [1.858]	49.2 [1.937]
HM20090-P2	18	39.0 [1.535]	37.40 [1.472]	33.60 [1.323]	43.0 [1.693]	45.0 [1.772]
HM20080-P2	16	34.8 [1.370]	33.20 [1.307]	29.40 [1.157]	38.8 [1.528]	40.8 [1.606]
HM20070-P2	14	30.6 [1.205]	29.00 [1.142]	25.20 [.992]	34.6 [1.362]	36.6 [1.441]
HM20060-P2	12	26.4 [1.039]	24.80 [.976]	21.00 [.827]	30.4 [1.197]	32.4 [1.276]
HM20050-P2	10	22.2 [.874]	20.60 [.811]	16.80 [.661]	26.2 [1.031]	28.2 [1.110]
HM20040-P2	8	18.0 [.709]	16.40 [.646]	12.60 [.496]	22.0 [.866]	24.0 [.945]
HM20030-P2	6	13.8 [.543]	12.20 [.480]	8.40 [.331]	17.8 [.701]	19.8 [.780]
HM20020-P2	4	9.6 [.378]	8.00 [.315]	4.20 [.165]	13.6 [.535]	15.6 [.614]
HM20010-P2	2	5.4 [.213]	3.80 [.150]	—	9.4 [.370]	11.4 [.449]