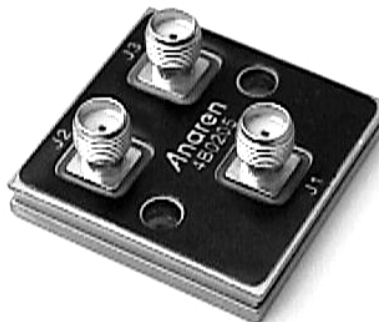


Power Dividers In-Phase, 2-Way

Applications

- Wilkinson Networks
- Power Amplifiers
- DCS and PCS frequencies
- Channel Combining
- Base Stations / Wireless Infrastructure



Features

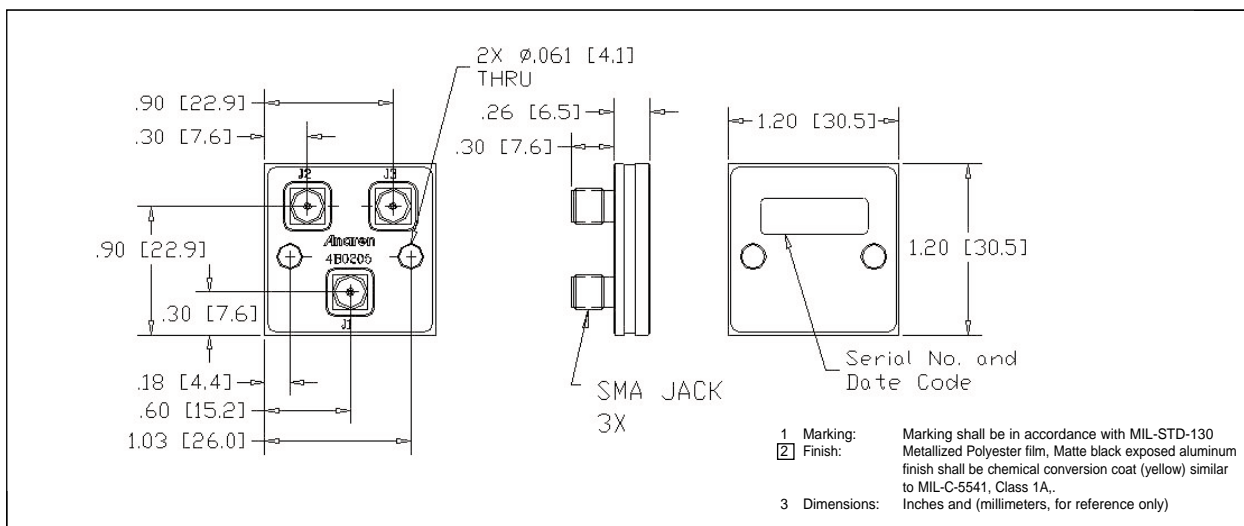
- Commercial Grade
- 2 Way Power Split
- In Phase
- Low Loss
- Flush Mounting
- Lightweight
- 100% Tested

Electrical Specifications

Frequency GHz	Isolation dB Min/Typ	Insert. Loss dB Max	Return Loss dB Min
1.7 - 2.0	18	0.25	18
	Amp. Bal. dB Max	Phase Bal. Degrees Max	Load Dissipation Watts
	±0.15	±1.0	0.750

Notes: Impedance: 50 ohms nominal. Meets MIL-E-5400 Class 3 requirements.
Electrical And Mechanical Specifications subject to change without notice.

Outline Drawing



Sales Desk USA: Voice: (800) 544-2414 Fax: (315) 432-9121
Sales Desk Europe: Voice: (+44) 23 92 232392 Fax: (+44) 23 92 251369