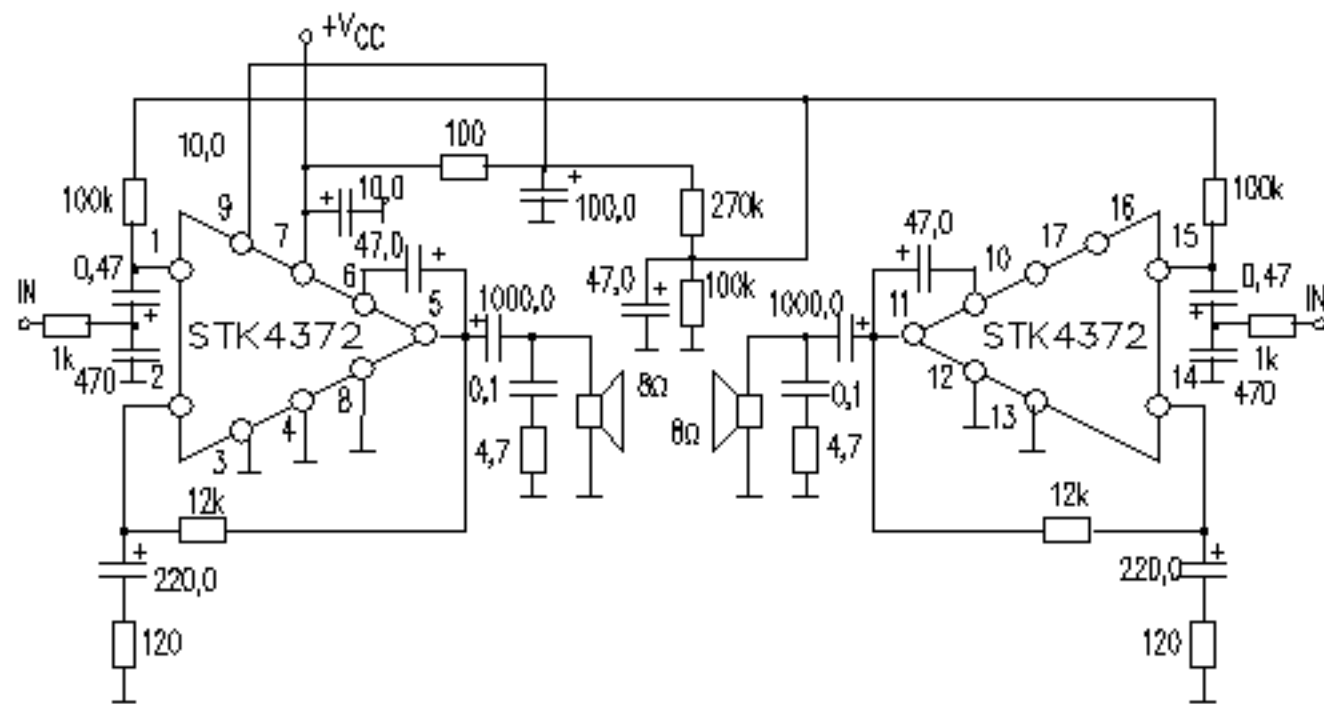


# STK4372

## POWER AMPLIFIER 2x12W



VCC MAX = 54V  
VCC TYP = 35V  
VCC RNG = --

PO = 2x12W  
RL = 8 Ohm  
TDH = 1%

ICCD TYP = 60mA  
ICCD MAX = 120mA  
IMAX = --

RIN = 110k  
Gain = 40dB  
Noise = 0,8mV

RTHJ-C = 5C/W  
Case H25