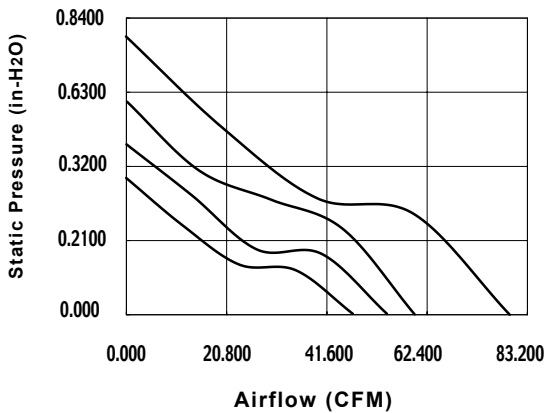
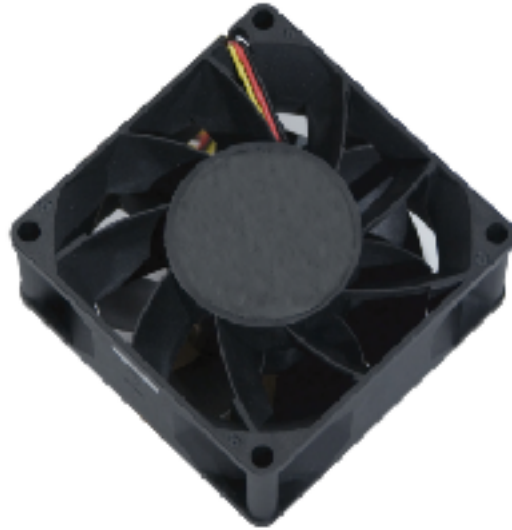


XYW08038 SERIES

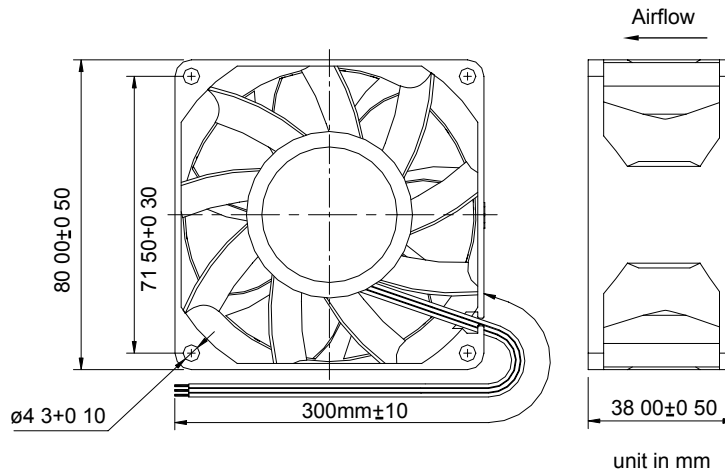
www.ystechusa.com

80x80x38mm

- ◆ Airflow: 47-81
- ◆ Static Pressure: 7-20mm H₂O
- ◆ Blade/Housing: Plastic Material
UL 94-0 PBT
- ◆ Lead Wire: 22 AWG
- ◆ Weight: 80g
- ◆ Bearing: Type: 2 Ball Bearing
- ◆ Function: 4, 5, 6, 7, & 12
- ◆ Voltage: 12, 24 & 48 VDC



PERFORMANCE P-Q CURVE



OUTLINE DIMENSIONS

Model No.	Rated Voltage (VDC)	Starting Voltage (VDC)	Operating Voltage Range (VDC)	Speed (RPM)	Max Airflow (CFM)	Max. Static Pressure (mm-H ₂ O)	Current (mA)	Power Consumption (W)	Life at 40°C (L-10/Hour)	P-Q Curve	Noise Level (dB(A))
XYW08038012BL-6	12	7	7-13.2	3400	47.6	7.5	240	2.88	80,000	1	41.5
XYW08038012BM-6	12	7	7-13.2	4200	56.8	10.8	380	4.56	80,000	2	47
XYW08038012BH-6	12	7	7-13.2	4900	65.8	14.4	580	6.96	75,000	3	51.5
XYW08038012BS-6	12	7	7-13.2	5700	81.0	20.0	800	9.60	65,000	4	55
XYW08038024BS-6	24	12	12-26.4	5700	81.0	20.0	420	10.08	65,000	4	55
XYW08038048BS-6	48	24	24-56	5700	81.0	20.0	200	9.60	65,000	4	55

phone 714.375.1400

fax 714.379.0100

AXIAL DC FANS